

500-1050
e-ASK System
(Electronic Access and
Security Keyless Entry -
Sealed, CAN)



TriMark's e-ASK systems consist of a selection of compatible components that allow for complete keyless entry for on or off-highway vehicle applications

DESIGNED FOR:

- Incorporation into TriMark mechanical latches, handles and systems by providing keyless entry, security and convenience for access door systems through a RF remote fob electronics interface and a security touch pad

Global Locations:

TriMark Corporation
500 Bailey Avenue
P.O. Box 350
New Hampton, Iowa 50659
United States
Tel: 641-394-3188
Fax: 641-394-2392
1-800-447-0343
www.trimarkcorp.com

TriMark Europe
Unit 3
Sence Court
Bardon Hill
Coalville LE67 1GZ
United Kingdom
Tel: +44(0)1530 512460
Fax: +44(0)1530 512461
www.trimarkeu.com

TriMark (Xuzhou)
Building A5 Jingwu Road
Xuzhou Economic
Development Zone
Xuzhou, Jiangsu
221004 PR China
Tel: +86 516 8773 0018
Fax: +86 516 8773 0058
www.trimarkcn.com



TriMark. Interactive. Product. Selector



TriMark



TriMark Corporation



TriMark Corporation

FEATURES/BENEFITS:

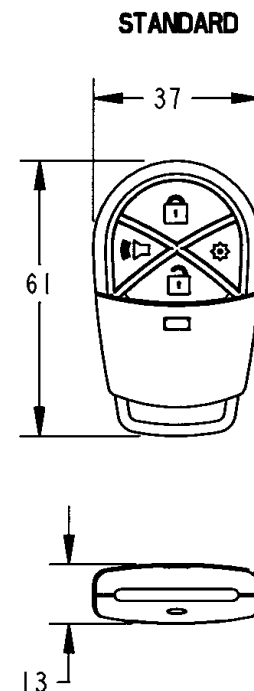
- 12V DC (or 24V DC) operation
- Keyless-entry security and convenience for access door systems through an electrical interface that includes both a touch pad and remote fob transmitter for the ultimate in end user convenience and functionality
- Easy and intuitive to operate
- Rugged and durable construction
- Compliant to on-road, off-road, and industrial environmental requirements
- Increased vehicle security with trigger input
- I/O module with on-board locking and unlocking relays
- Can control window up/down motors
- SAE J1939 at 250K/500K or RVC to enable communications with other modules
- Locking/unlocking confirmation
- Lighting and auxiliary output control
- Ability to provide four OEM definable functions from keypad
- Variable timed light activation output (porch, compartment or interior lighting)

e-FOB

- Reliable radio frequency (RF) transmission
- High security with code hopping technology
- Compliant to FCC-Part 15 and EU RF requirements
- 4-button standard fob (other configurations available)
- Customized graphics possible (buttons and logos)
- Can add up to 4 fob transmitters to vehicle

AVAILABLE:

- Standard kit make up includes: Two pre-trained RF remote fob transmitters, IO module, and manual
- Optional kits can include: any wiring harnesses for all connection points of system, extra relays, switches, door contacts, actuators, mounting hardware, mounting brackets, door latches, and door paddle handles
- Fob transmitter with control of auxiliary features
- Vertical and horizontal keypad
- Customized wire harnesses
- Additional fob transmitters




WARNING:

Immediately dispose of used batteries and keep away from children. Do NOT dispose of batteries in household trash.

Even used batteries may cause severe injury or death.

Call a local poison control center for treatment information.

⚠ WARNING	
<ul style="list-style-type: none"> • INGESTION HAZARD: This product contains a button cell or coin battery. • DEATH or serious injury can occur if ingested. • A swallowed button cell or coin battery can cause Internal Chemical Burns in as little as 2 hours. • KEEP new and used batteries OUT OF REACH of CHILDREN • Seek immediate medical attention if a battery is suspected to be swallowed or inserted inside any part of the body. 	

USE WITH:

Mechanical

- TriMark 030-0175 Stamped Steel Compartment Latch
- TriMark 030-0185 Stamped Steel Two Point Paddle Handle
- TriMark 030-0400 Paddle Handle
- TriMark 030-0425 Inside Bezel & Release Lever Assembly
- TriMark 030-0450 Two Point Paddle Handle
- TriMark 030-0850 Flush Mounted Paddle Handle
- TriMark 030-0860 Flush Mounted Paddle Handle With Inside Lock Knob
- TriMark 030-0900 Motor Home Entrance Door Hardware With Deadbolt
- TriMark 030-1100 Two Point Paddle Handle
- TriMark 030-2000 Two Point Free Float Baggage Lock
- TriMark 050-0250 Single Rotor Latch & Linkage Assembly

Electronic Products and Accessories

- TriMark 510-0250 Sealed Controller
- TriMark 530-0100 e-FOB Transmitter

Optional Accessories:

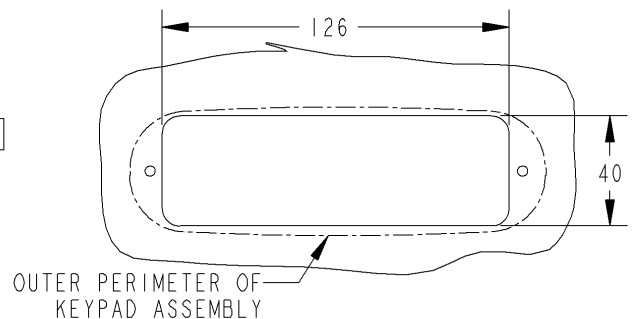
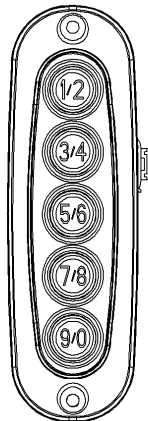
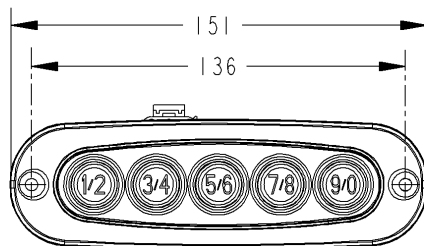
- ◇ TriMark 540-0100 e-PAD Keypad
- ◇ TriMark 550-0100 Power Actuators
- ◇ TriMark 550-0200 Solenoids
- ◇ TriMark 590-0100 Wire Harnesses
- ◇ TriMark 590-0200 Door Contact
- ◇ TriMark 590-0300 Relays
- ◇ TriMark 590-0400 Sirens
- ◇ TriMark 590-0500 Rocker Switches
- ◇ TriMark 590-0600 Plunger Switches
- ◇ TriMark supplied or existing OEM security system components (e.g. motion detectors, door-ajar detectors, glass break sensors)

U.S. Patent No. 6,789,003 / 7,034,655 / 7,119,709 / 8,350,669 / 7,400,232

Design Patent No. D563,097

Please refer to individual product codes and part drawings for complete dimensions, specifications, and installation procedures. Engineering assistance and application drawings are available.

**For more information visit
www.trimarkcorp.com**



**RECOMMENDED KEYPAD
CLEARANCE CUTOUT**

e-PAD

- Tactile, visual, and audio feedback
- Over 3000 code combinations with tamper lock-out features
- Lighted keypad for more effective night time usage
- Vertical and horizontal orientations
- Five user codes can be assigned
- Multiple layer code control
- Multiple keypad integration

INSTALLATION:

- I/O module is easily installed with (2) 1/4" or M6 screws (not included) and can be mounted in a concealed location
- Keypad is easy to install with (2) #8 or M4 flat head screws (not included)
- Keypad can be installed in a wide range of locations in door — either horizontal or vertical orientation
- Standard 12V DC power
- Easy to install and program

